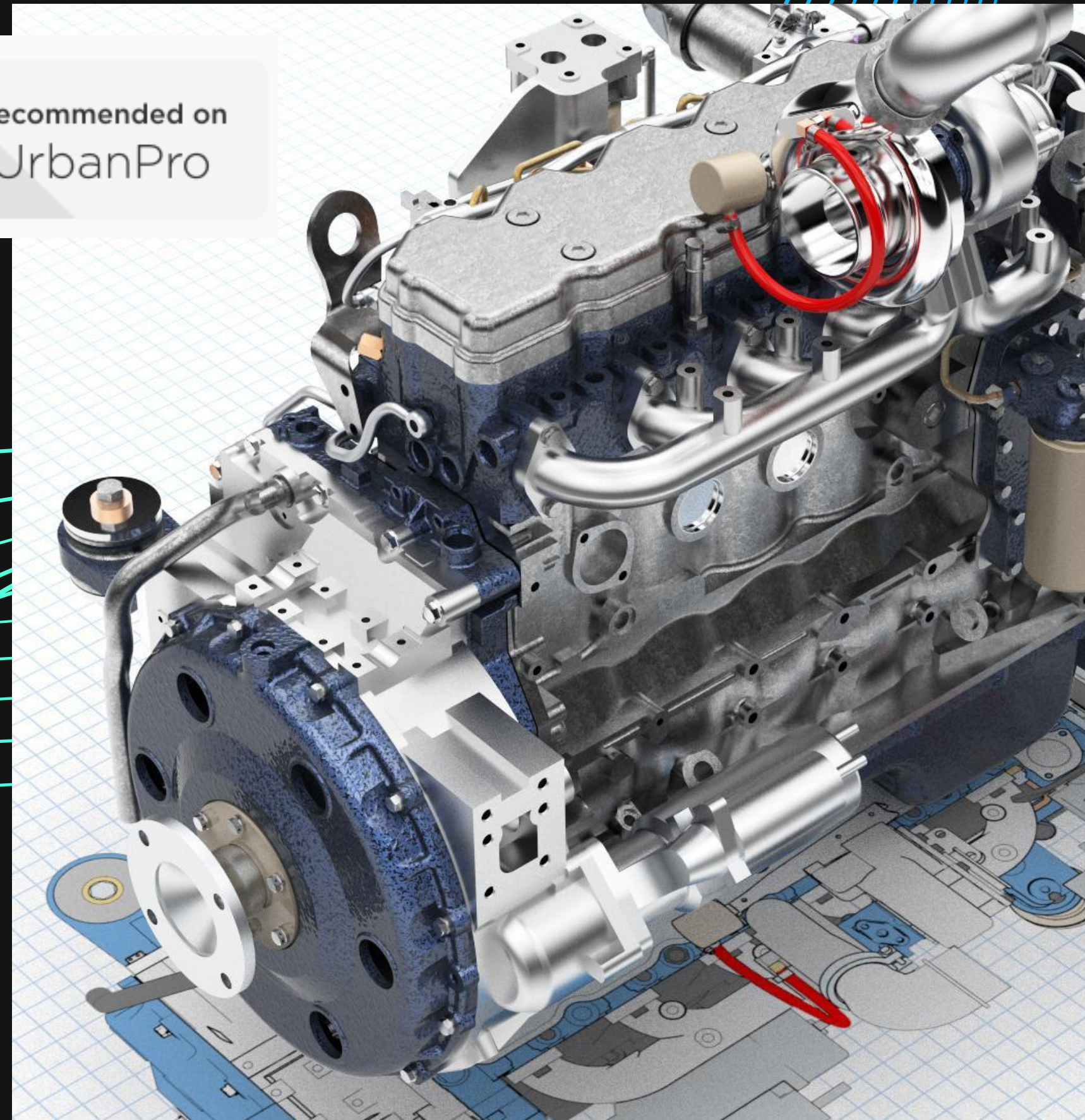




Recommended on
UrbanPro

PTC CREO Online Training



About the Tutor

VISHAL RAHATE
SR. DESIGN ENGINEER, JCB INDIA

YEARS OF EXPERIENCE

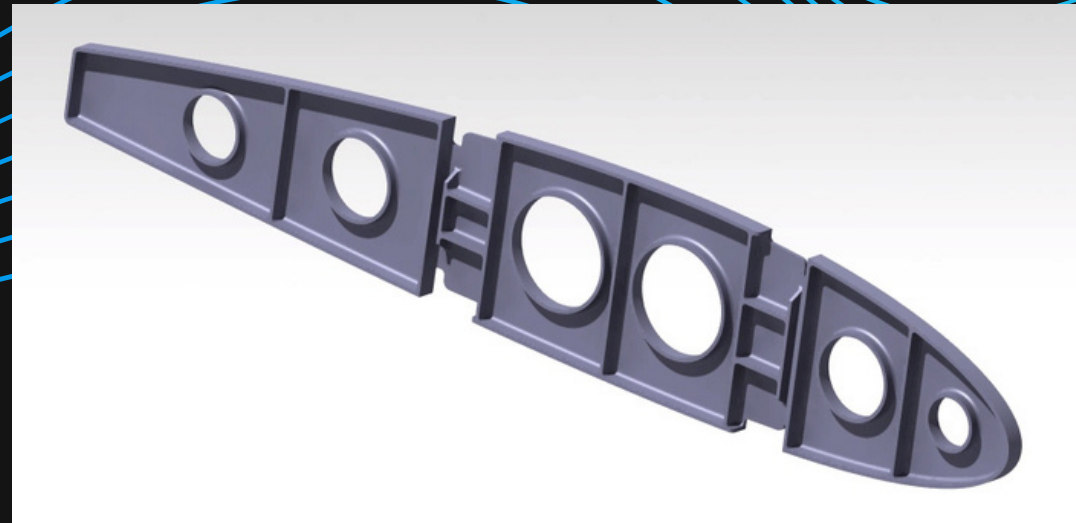
8+ years of experience in New Product Design & Development (Biomedical & Automotive)

EXPERIENCE AS A CAD TUTOR

5+ years of experience as a CAD Tutor on Creo Parametric, UGNX, Catia V5 & Solidworks



Course Syllabus



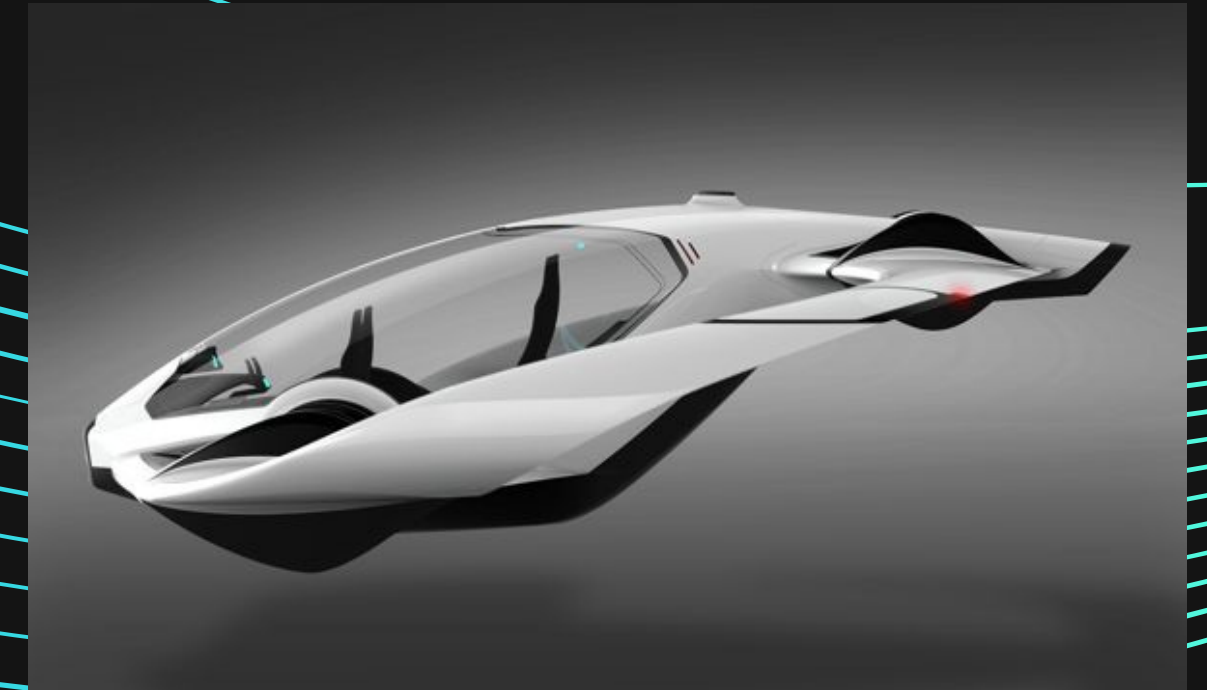
PART MODELLING

Brief understanding of Parametric Modelling basics including Sketcher, Coordinate System and Part Modelling



ASSEMBLY

Top Down and Bottom up Approach of Assembly



ADVANCED SURFACING

Class A Surface Development of complex structures and tools of modifications

Course Syllabus



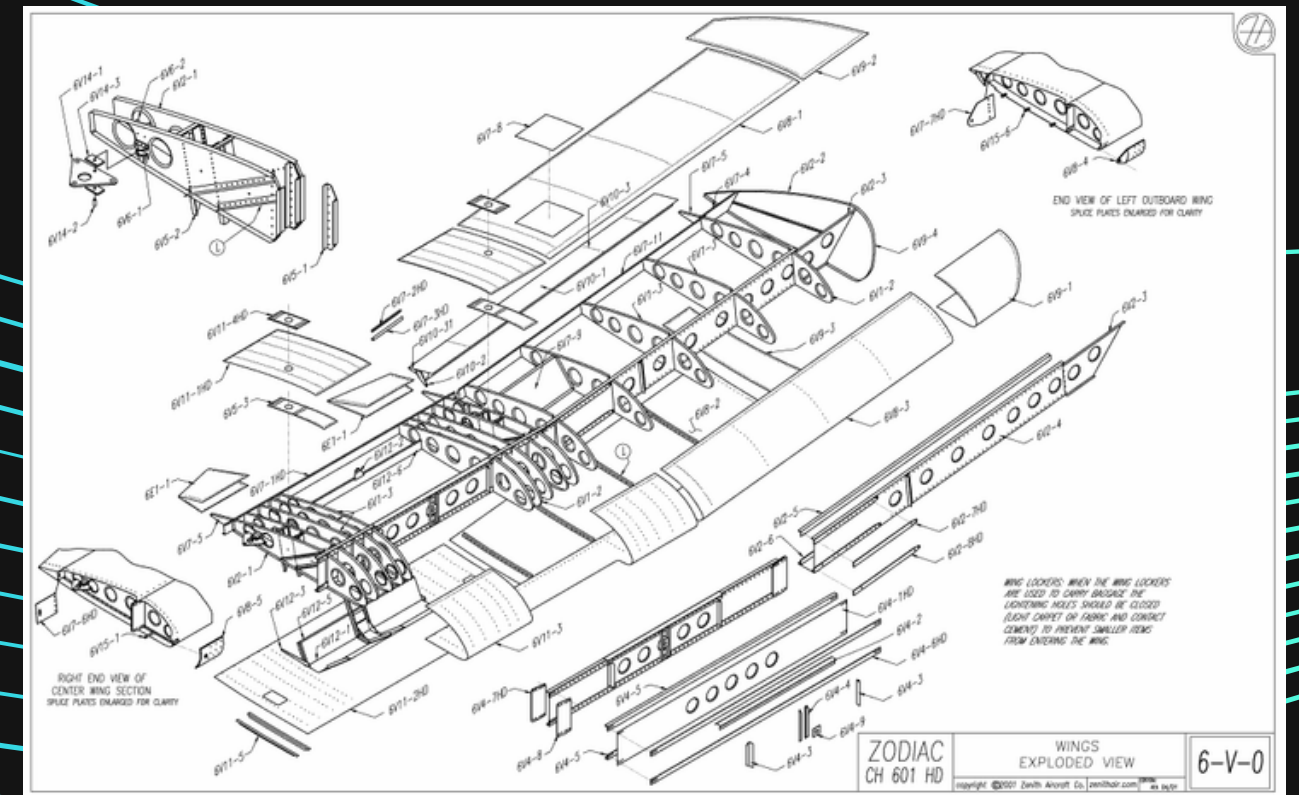
DESIGN MODIFICATION

Tools of creating multibody parts and set of bodies to play within the development phase



SHEETMETAL DESIGN

Sheetmetal Design with brief understanding of design parameters used in terms of Manufacturing and Design feasibility.



DRAFTING WITH GD&T

Comprehensive session on drafting a manufacturing drawings with industry standards with application of GD&T

Skills Covered in this course



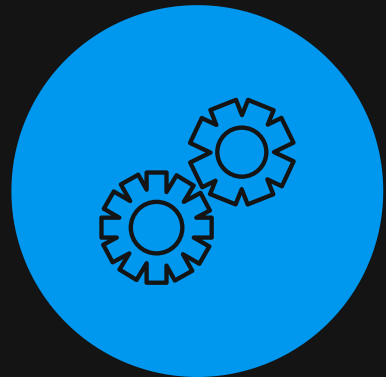
Right Perspective in CAD Design



New Product Design Fundamentals



Realistic approach in design as per industry standards.



Measure Industry relevant tools